

DONT FORGET SAFETY

NO PART OF THIS DRAWING MAY BE REPRODUCED OR TRANSMITTED IN ANY FORM OR STORED IN ANY RETRIEVAL SYSTEM OF ANY NATURE WITHOUT THE WRITTEN PERMISSION OF MALONE O'REGAN CONSULTING ENGINEERS AS COPYRIGHT HOLDER EXCEPT AS AGREED FOR USE ON THE PROJECT FOR WHICH THE DRAWING WAS ORIGINALLY CREATED.

THIS DRAWING TO BE READ IN CONJUNCTION WITH ALL OTHER RELEVANT DRAWINGS, SPECIFICATIONS AND THE PRELIMINARY HEALTH & SAFETY PLAN.

ALL DIMENSIONS ARE IN mm UNLESS NOTED OTHERWISE. DO NOT SCALE DIMENSIONS.

THE CONTRACTOR SHALL CHECK ALL DIMENSIONS PRIOR TO THE COMMENCEMENT OF CONSTRUCTION. ALL DISCREPANCIES SHALL BE REPORTED TO THIS OFFICE IN WRITING.

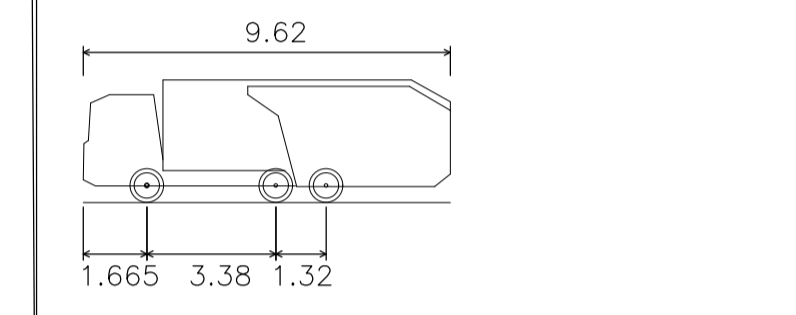
NOTES

BY	DRAWING No. & REFERENCE	DATE
SURVEY	SHB5-CGK-DR-MOR-AR-P3-PL03 Rev G	15.05.24
ARCH	SHB5-CGK-DR-MAL-L-P1-0100 Rev 01	28.02.24
LS Arch		

VEHICLE SWEEP PATH LEGEND

	SATISFACTORY	SATISFACTORY: SWEEP PATH WORKS WITH CURRENT LAYOUT
	FEASIBLE	FEASIBLE: SLIGHT DIFFICULTIES BUT SWEEP PATH COULD WORKS WITH MINOR LAYOUT MODIFICATIONS
	NOT ACCEPTABLE	NOT ACCEPTABLE: SWEEP PATH NOT POSSIBLE WITH LAYOUT AND SIGNIFICANT ALTERATION REQUIRED
		SOLID HATCH INDICATES FORWARD MOTION OF THE VEHICLE
		LINED HATCH INDICATES REVERSE MOTION OF THE VEHICLE

*N.B. COLOUR OF SOLID/LINED HATCHES IN LEGEND TO MATCH RELEVANT COLOUR OF THE AUTO-TRACK IN THE DRAWING (i.e. IF SWEEP PATH IS A SATISFACTORY GREEN THEN SO WILL HATCHES BE SHOWN AS ABOVE)



PHOENIX 2-18W (WITH ELITE 2 6X2MS)

OVERALL LENGTH	9.620M
OVERALL WIDTH OVERALL	2.530M
BODY HEIGHT	3.211M
MIN BODY GROUND	0.416M
CLEARANCE TRACK WIDTH	2.530M
LOCK-TO-LOCK TIME	4.00S
CURB TO CURB TURNING RADIUS	9.550M



5	LANDSCAPE AND ARCHITECT LAYOUTS UPDATED SITE LAYOUT REVISED TO SUIT CHANGES	17.05.24	KD	DW
4	LANDSCAPE ARCHITECT LAYOUT UPDATED SITE LAYOUT REVISED TO SUIT CHANGES	15.03.24	KD	PB
3	SITE LAYOUT UPDATED AND REVISED	28/02/24	KD	PB
2	SITE LAYOUT UPDATED AND SWEEP PATHS AMENDED SHOWING REVISED TURNING AREAS DO NOT ACCOMMODATE REFUSE VEHICLE	22/01/24	KD	PB

REV DESCRIPTION DATE BY CHK

STATUS **P3 - PLANNING**

MDR Unit 2B Richview Office Park, Clonskeagh, DUBLIN 14, D14 XT57
 MALONE O'REGAN CONSULTING ENGINEERS
 T: +353 1 260 2655 E: dublin@morce.ie W: www.maloneoregan.ie
 Offices also in:
 GALWAY T: +353 91 531 069 E: galway@morce.ie
 WATERFORD T: +353 51 876 855 E: waterford@morce.ie

CLIENT **KILDARE COUNTY COUNCIL**

JOB NAME **SHB 4&5 - CGK - COOLAGHNOCK GLEBE, KILDARE TOWN**

DRG NAME **SWEEP PATH ANALYSIS REFUSE TRUCK**

JOB REF	SHEET	SCALE	DATE	BY	ENG	APP	REV.
23006	A1	1:500	AUG'2023	SL	PB	PB	5

DRG NO. **SHB5-CGK-DR-MOR-CS-P1-116**

DONT SCALE DIMENSIONS

N:\23006_MORCS_P1\23006_MORCS_P1-116 Rev 5.dwg